

VERTIGRIP ON LADDER

VERTICAL LIFELINE ON LADDERS

CE EAC

EN
353-1:2014
+ A1:2017


RFU 11.119

QUALITY

Complete system in AISI 316 stainless steel - AISI 304 stainless steel
EN AW 6082 aluminium alloy, guarantees excellent corrosion resistance.



TOTAL CONTROL

Guided type fall arrester on rope with integrated energy absorber, which allows a controlled ascent and descent in safe conditions.

PRACTICAL

The system can be assembled off-centre on the ladder.

▼ Installation of a VERTIGRIP vertical lifeline on a ladder for maintenance of an automated warehouse.



VIDEO



MANUALS

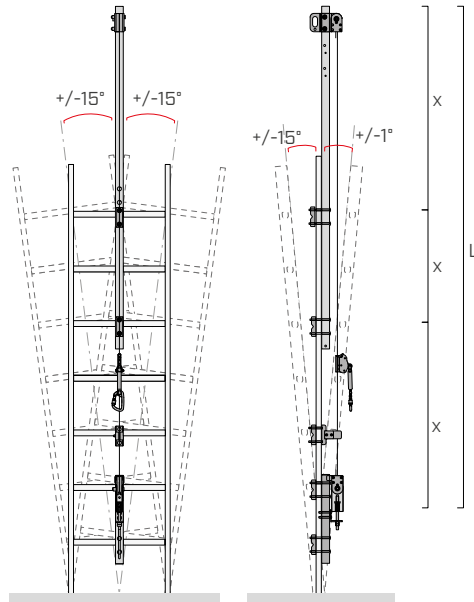


VERTICAL LIFELINE COMPONENTS

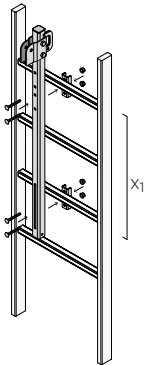
n.	CODE
1	VERTBASE
2	VERTSPEAR
3	VERTHAND
4	VERTSUP
5	CABLE
6	VERTINTPAS1 / VERTINTPAS2 / VERTINT
7	VERTSLIDEPAS / VERTSLIDE
8	VERTOP17 / VERTOP09

TECHNICAL DATA*

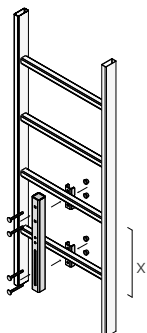
A2
AISI 304



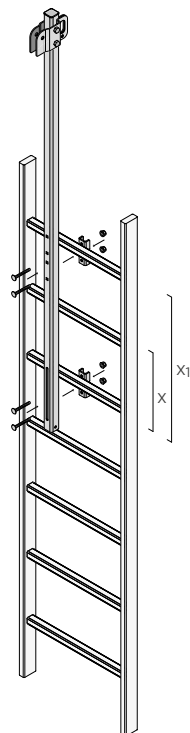
L = max 200 m
x = max 5 m



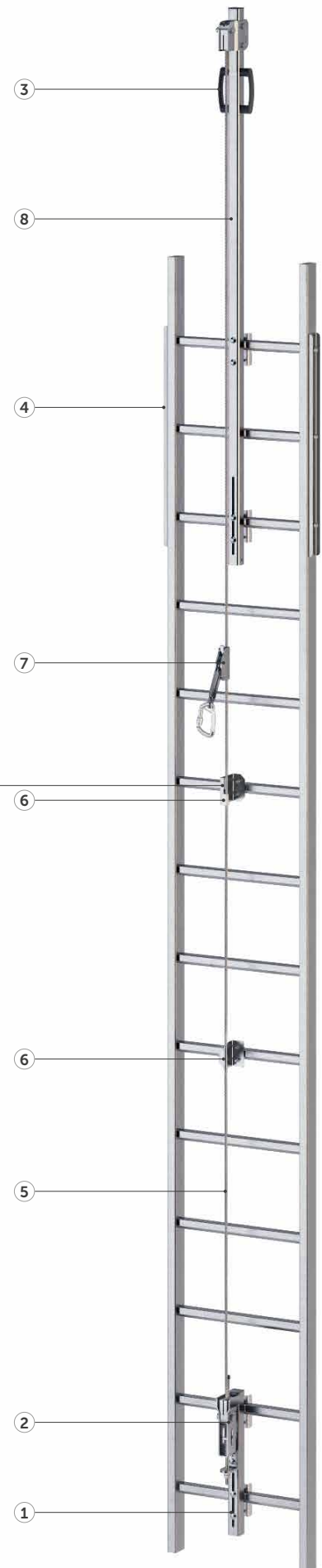
$450 \text{ mm} \leq x_1 \leq 700 \text{ mm}$



$225 \text{ mm} \leq x \leq 350 \text{ mm}$



$450 \text{ mm} \leq x_1 \leq 700 \text{ mm}$
 $225 \text{ mm} \leq x \leq 350 \text{ mm}$



* The values indicated are the result of experimental tests carried out under the supervision of third parties in accordance with the standard referred to. For a calculation report with minimum distances according to the relevant standard requirements, the substructure must be checked by a qualified engineer before installation.